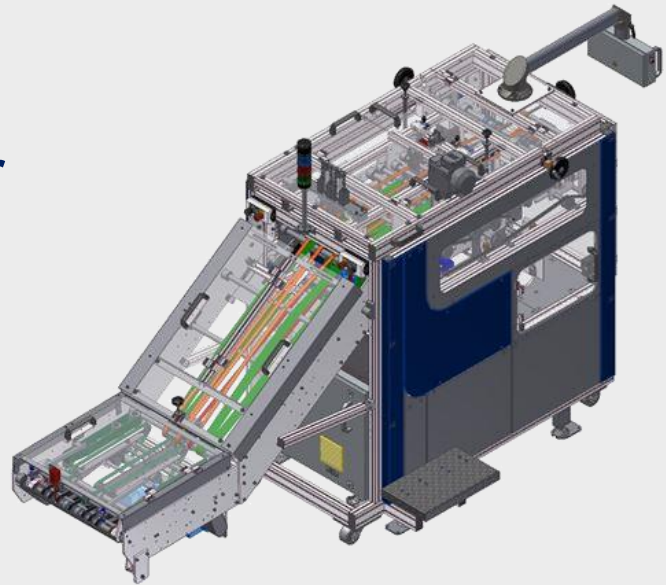


ICSZ Compensating Stacker

The stacker interlocks products crosswise to produce a solid bundle for optimal palletizing.



Technical Specifications

Measurements

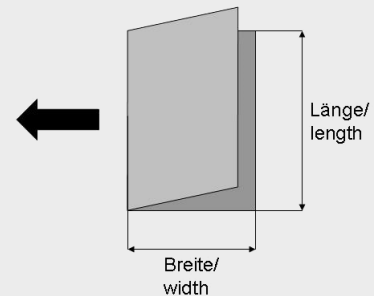
Total height	approx. 2228 mm
Total width	approx. 1377 mm
Total length	approx. 3478 mm (without swivel arm), depending on inlet height
Input height	600 - 900 mm
Output height	850 - 900 mm
Height partial batch	max. 160 mm
Height complete bundle	max. 300 mm
Product width	148 - 320 mm
Product length	190 - 480 mm
Product diagonal	max. 580 mm, attention please

Pneumatic system

Air pressure	min. 6 bar
Air consumption	max. 1,0 Nm ³ /min., unoled, dry air

Electrical supply data

Voltage	400 V, 3 Phase, N, PE, 50 Hz
Power input	1,5 kW
Fuse	20 A slow-blow fuse
Cycle time	1.8 sec.



Example for production speed at DIN A4 (48 pages):

Shingle stream infeed between 30 and 60 mm

Guaranteed performance: 100.000 c/h. at 50 copies per partial bundle

Performance data refers to DIN A4 products without inserts.

